

PRESSURE GAUGES

CONTRACTOR'S SERIES

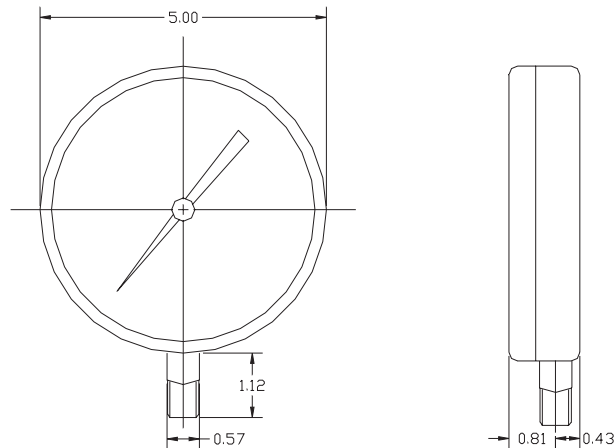
4-1/2" DIAL SIZE - DRY

The contractor's gauge is modestly priced and is the most popularly accepted standard in the commercial HVAC and building trades. The instrument is suited for service on air, water, glycol solutions, and gas. CAUTION: A coil syphon must be installed on the connection when used with steam applications.



TYPE	BASIC CATALOG NO.*
NO FLANGE	P4598L
WITH FLANGE	P4509L

*Add range code to basic catalog number
(i.e. P4598L-05)



GENERAL SPECIFICATIONS

CASE: Black fiber reinforced nylon (P4509L)
Brightly finished stainless steel (P4598L)

RING: Stainless steel.

LENS: Model P4509L - Glass
Model P4598L - Acrylic

DIAL: Aluminum, white finished with black markings.

POINTER: Aluminum, black, adjustable.

MOVEMENT: Precision brass with milled teeth.

BOURDON TUBE: Phosphor bronze.

CONNECTION: 1/4" NPT bottom outlet

ACCURACY: +1% of total range span, (exceeds ANSI grade A)

STANDARD RANGES	
RANGE CODE	RANGE
001	30"hg - 0psi
006	30"-0- 150psi
008	30"-0- 300psi
03	0 - 30psi
04	0 - 60psi
05	0 - 100psi
06	0 - 160psi
07	0 - 200psi
08	0 - 300psi
10	0 - 600psi
11	0 - 1000psi

MILJOCO

CORPORATION

14335 E. NINE MILE RD., WARREN, MI 48089 www.miljoco.com PHONE 586 777-4280 FAX 586 777-7891

PRESSURE GAUGES

SEVERE SERVICE - LIQUID FILLED

2-1/2" (63mm) or 4" (100mm) DIAL SIZE

This severe service gauge is rugged, yet attractive on any machine where it is mounted. The stainless steel case is filled with a glycerine and water solution, which is suitable dampening to protect the internals against vibration and pulsation. This unit is completely weather proof and excellent for pumps, air compressors, irrigation systems, and other installations suitable for brass components. Stainless internals are available as an option, please contact the factory for details. CAUTION: A coil syphon must be installed on the connection when used on steam service.

GENERAL SPECIFICATIONS

CASE: Stainless Steel.

RING: Stainless Steel.

LENS: Acrylic, for weather resistance.

DIAL: Aluminum, white finished with black markings for psi and blue markings for bars and kPa.

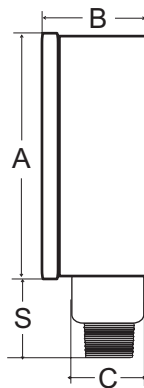
POINTER: Aluminum, black, non-adjustable.

MOVEMENT: Brass, with precision milled teeth.

BOURDON TUBE: Brass.

CONNECTION: 1/4" NPT bottom outlet with choke screw.

ACCURACY: 3-2-3% - ANSI B40.1 Grade B



SIZE	BASIC CATALOG NUMBER*	DIMENSIONS			
		A	B	S	C
2-1/2"	PLF2598L	2.68	1.26	0.76	0.56
4"	PLF4098L	4.32	1.63	1.25	0.56

*Add range code to basic catalog number (i.e. P2598L-05)

STANDARD RANGES	
RANGE CODE	RANGE
001	30"hg - 0psi/bar
006	30"-0- 150psi/bar
008	30"-0- 300psi/bar
03	0 - 30psi/bar
04	0 - 60psi/bar
05	0 - 100psi/bar
06	0 - 160psi/bar
07	0 - 200psi/bar
08	0 - 300psi/bar
10	0 - 600psi/bar
11	0 - 1000psi/bar
12	0 - 2000psi/bar
13	0 - 3000psi/bar
14	0 - 5000psi/bar
15	0 - 10,000psi/bar

**Other ranges available - please consult the factory for more details

MILJOCO
CORPORATION

PRESSURE GAUGES

UTILITY SERVICE

1-1/2", 2", 2-1/2", & 3-1/2" DIAL SIZES

An economic line of pressure gauges for general in plant service on air, water, gases, and other light duties suitable for brass gauge components. This instrument has an attractive appearance featuring a highly polished chrome plated ring and a dual colored dial face. CAUTION: A coil syphon must be installed on the connection when used for steam service.

GENERAL SPECIFICATIONS

CASE: Black finished C.R.S.

RING: Chrome plated

LENS: Acrylic

DIAL: White finished with black markings for psi and blue markings for bars & kPa scale.

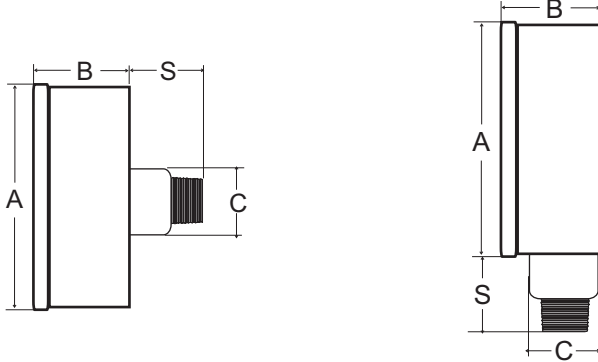
POINTER: Black, non-adjustable.

MOVEMENT: Brass.

BOURDON TUBE: Brass.

CONNECTION: 1-1/2" size is 1/8" NPT bottom or center back outlet. 2", & 2-1/2" sizes are 1/4" NPT bottom or center back outlet. 3-1/2" size is 1/4" NPT bottom.

ACCURACY: 3-2-3% ANSI B40.1, Grade B.



STANDARD RANGES	
RANGE CODE	RANGE
001	30"hg - 0psi/bar
003	30"-0- 30psi/bar
004	30"-0- 60psi/bar
006	30"-0- 150psi/bar
008	30"-0- 300psi/bar
02	0 - 15psi/bar
03	0 - 30psi/bar
04	0 - 60psi/bar
05	0 - 100psi/bar
06	0 - 160psi/bar
07	0 - 200psi/bar
08	0 - 300psi/bar
10	0 - 600psi/bar

SIZE	CONNECTION	BASIC CATALOG NUMBER*	DIMENSIONS			
			A	B	S	C
1-1/2"	1/8" NPT bottom	P1508L	1.65	0.90	0.60	0.43
1-1/2"	1/8" NPT back	P1508	1.65	0.90	0.74	0.43
2"	1/4" NPT bottom	P2008L	2.08	1.04	0.74	0.55
2"	1/4" NPT back	P2008	2.08	1.04	0.86	0.55
2-1/2"	1/4" NPT bottom	P2508L	2.48	1.20	0.92	0.55
2-1/2"	1/4" NPT back	P2508	2.48	1.20	0.86	0.55
3-1/2"	1/4" NPT bottom	P3508L	3.52	1.12	0.94	0.55

*Add range code to basic catalog number (i.e. P2508L-05)

**Other ranges are available. Please consult the factory for further details.

MILJOCO
CORPORATION

14335 E. NINE MILE RD., WARREN, MI 48089 www.miljoco.com PHONE 586 777-4280 FAX 586 777-7891