

LOW PRESSURE DIAPHRAGM GAUGE

LP2507
LP2507L

The Miljoco low pressure diaphragm gauge offers the pinnacle in both performance and accuracy for typical pressure and vacuum applications up to and including 10 psi. Such uses include gas draft indication, air flow & filtration, leak detection, etc..

The LP2507/LP2507L is constructed from a single beryllium copper diaphragm affixed to a precision machined brass plate. This advanced design, coupled with a high precision, milled-teeth brass movement and silver-nickel pinion and bearing surface, provides the user with a low pressure instrument that is without equal.

SPECIFICATIONS

CASE: Black finished C.R.S

LENS: Polycarbonate

DIAL: White finished aluminum with black markings

POINTER: Black non-adjustable

DIAPHRAGM: Beryllium Copper

CONNECTION: Brass, 1/4 NPT Lower or Center Back

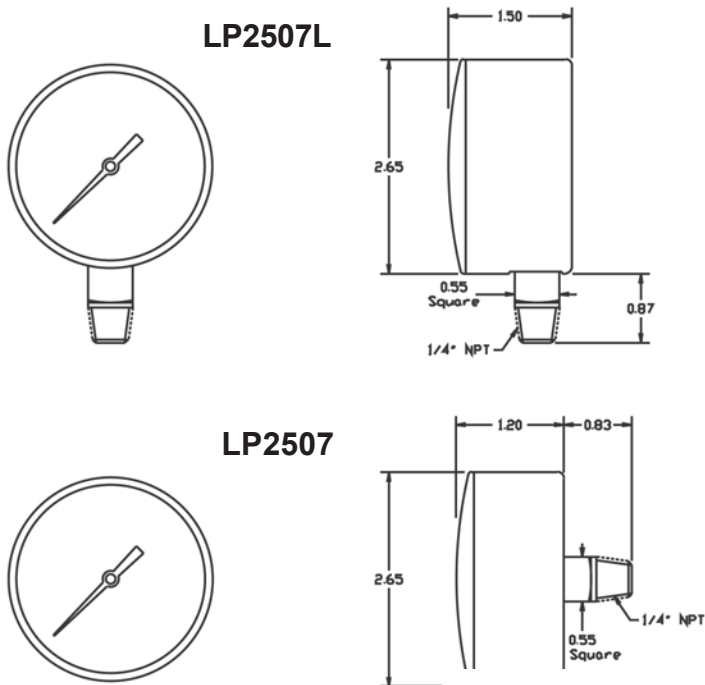
MOVEMENT: Precision milled brass

RANGES: See Table

RESTRICTOR: .013 restrictor on ranges above 10" H₂O

ACCURACY: ±1.5% Full Scale

AMBIENT TEMPERATURE: -40° to 160°F



STANDARD RANGES			
RANGE CODE	RANGE	GRADUATIONS	
		FIGURE	DIVISION
VACUUM RANGES			
0210	15" H ₂ O-0	3	.3
0220	30" H ₂ O-0	5	.5
0240	60" H ₂ O-0	10	1
0250	100" H ₂ O-0	10	1
0260	160" H ₂ O-0	40	2.5
PRESSURE RANGES			
210	0-15" H ₂ O	3	.3
220	0-30" H ₂ O	5	.5
240	0-60" H ₂ O	10	1
250	0-100" H ₂ O	10	1
260	0-160" H ₂ O	40	2.5
232	0-35" H ₂ O & oz/in ²	5 / 2	1 / .5
300	0-5 psi	1	.1
310	0-10 psi	1	.1

MILJOCO
CORPORATION