

PRESSURE GAUGES

PANEL MOUNT - FRONT FLANGE

2", 2-1/2", & 3-1/2" DIAL SIZES

Miljoco offers a variety of panel mounted pressure gauges, matching our line of vapor actuated remote reading panel mounted thermometers. These instruments are rugged, reliable, & accurate for a wide variety of uses such as air compressors, portable chillers, packaged pump sets, etc. Front flanged gauges are designed to be installed in a panel using 3 screws from the front. **CAUTION:** A coil syphon must be used when gauges are installed for steam service.

GENERAL SPECIFICATIONS

- CASE:** Brightly finished 300 series stainless steel.
- LENS:** Polycarbonate
- DIAL:** White finished with black markings.
- POINTER:** Black, adjustable.
- MOVEMENT:** Brass, with precision milled teeth.
- BOURDON TUBE:** Phosphor bronze.
- CONNECTION:** 1/8" NPT center back outlet is standard to 400psi
1/4" NPT center back outlet is furnished standard from 600psi to 1000psi
- ACCURACY:** 2-1-2% ANSI B40.1, Grade A.



STANDARD RANGES	
RANGE CODE	RANGE
001	30"hg - 0psi
003	30"-0- 30psi
004	30"-0- 60psi
006	30"-0- 150psi
008	30"-0- 300psi
02	0 - 15psi
03	0 - 30psi
04	0 - 60psi
05	0 - 100psi
06	0 - 160psi
07	0 - 200psi
08	0 - 300psi
10	0 - 600psi
11	0 - 1000psi

DIAL SIZE	CASE	LENS (Polycarbonate)	BASIC CATALOG NO*	DIMENSIONS				
				A	B	C	D	E
2"	S.S.	Press-in	P2036	2.94	1.09	2.05	1.28r	.156
2"	S.S.	Threaded	P2037	2.94	1.09	2.05	1.28r	.156
2"	ABS	Press-in	P2036P	2.94	1.09	2.06	1.28r	.148
2-1/2"	S.S.	Threaded	P2537	3.48	1.09	2.56	1.60r	.180
3-1/2"	S.S.	Threaded	P3537	4.30	1.09	3.50	2.00r	.180

**Add range code to basic catalog number
(i.e. P2036-05)*

***Other ranges and custom graphics are available. Please consult the factory for further details.*

MILJOCO
CORPORATION

14335 E. NINE MILE RD., WARREN, MI 48089 www.miljoco.com PHONE 586 777-4280 FAX 586 777-7891

PRESSURE GAUGES

PANEL MOUNT - U-CLAMP

2", 2-1/2", & 3-1/2" DIAL SIZES

Miljoco offers a variety of panel mounted pressure gauges, matching our line of vapor actuated remote reading panel mounted thermometers. These instruments are rugged, reliable, & accurate for a wide variety of uses such as air compressors, portable chillers, packaged pump sets, etc. U-clamp gauges are designed to be installed in a panel from the rear using mounting bracket and case studs. **CAUTION:** A coil syphon must be used when gauges are installed for steam service.

GENERAL SPECIFICATIONS

CASE: Brightly finished 300 series stainless steel.

LENS: Polycarbonate

DIAL: White finished with black markings.

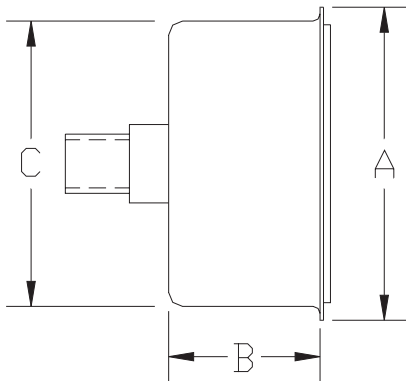
POINTER: Black, adjustable.

MOVEMENT: Brass, with precision milled teeth.

BOURDON TUBE: Phosphor bronze.

CONNECTION: 1/8" NPT center back outlet is standard to 400psi
1/4" NPT center back outlet is furnished standard from 600psi to 1000psi

ACCURACY: 2-1-2% ANSI B40.1, Grade A.



DIAL SIZE	CASE	LENS (Polycarbonate)	BASIC CATALOG NO*	DIMENSIONS			
				A	B	C	S
2"	S.S.	Press-in	P2066	2.24	1.09	2.05	.736
2"	S.S.	Threaded	P2067	2.24	1.09	2.05	.736
2"	ABS	Press-in	P2046	2.24	1.09	2.06	.736
2-1/2"	S.S.	Threaded	P2567	2.86	1.09	2.56	.736
3-1/2"	S.S.	Threaded	P3567	3.94	1.09	3.50	.736

*Add range code to basic catalog number
(i.e. P2567-05)

STANDARD RANGES	
RANGE CODE	RANGE
001	30"hg - 0psi
003	30"-0- 30psi
004	30"-0- 60psi
006	30"-0- 150psi
008	30"-0- 300psi
02	0 - 15psi
03	0 - 30psi
04	0 - 60psi
05	0 - 100psi
06	0 - 160psi
07	0 - 200psi
08	0 - 300psi
10	0 - 600psi
11	0 - 1000psi

**Other ranges and custom graphics are available. Please consult the factory for further details.

MILJOCO
CORPORATION

PRESSURE GAUGES

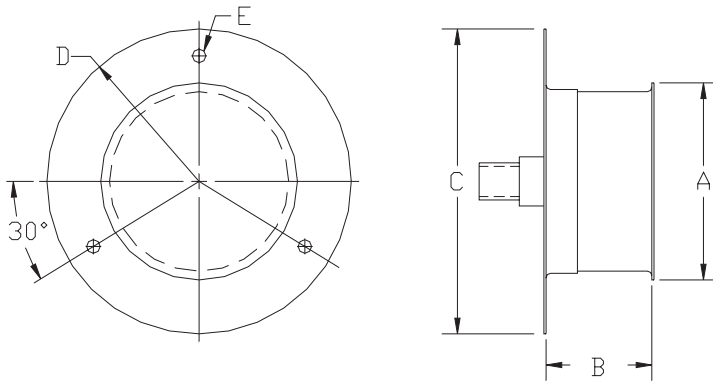
SURFACE MOUNT - REAR FLANGE

2", 2-1/2", 3-1/2, & 4" DIAL SIZES

Miljoco offers a variety of panel mounted pressure gauges, matching our line of vapor actuated remote reading panel mounted thermometers. These instruments are rugged, reliable, & accurate for a wide variety of uses such as air compressors, portable chillers, packaged pump sets, etc. Rear flanged gauges are designed to be installed on a wall or panel using 3 screws from the front. **CAUTION:** A coil syphon must be used when gauges are installed for steam service.

GENERAL SPECIFICATIONS

- CASE:** Brightly finished 300 series stainless steel.
- LENS:** Polycarbonate
- DIAL:** White finished with black markings.
- POINTER:** Black, adjustable.
- MOVEMENT:** Brass, with precision milled teeth.
- BOURDON TUBE:** Phosphor bronze.
- CONNECTION:** 1/8" NPT center back outlet is standard to 400psi
1/4" NPT center back outlet is furnished standard from 600psi to 1000psi
- ACCURACY:** 2-1-2% ANSI B40.1, Grade A.



STANDARD RANGES	
RANGE CODE	RANGE
001	30"hg - 0psi
003	30"-0- 30psi
004	30"-0- 60psi
006	30"-0- 150psi
008	30"-0- 300psi
02	0 - 15psi
03	0 - 30psi
04	0 - 60psi
05	0 - 100psi
06	0 - 160psi
07	0 - 200psi
08	0 - 300psi
10	0 - 600psi
11	0 - 1000psi

DIAL SIZE	CASE	LENS (Polycarbonate)	BASIC CATALOG NO*	DIMENSIONS				
				A	B	C	D	E
2"	S.S.	Press-in	P20146	2.24	1.09	3.50	1.59r	.156
2"	S.S.	Threaded	P20147	2.24	1.09	3.50	1.59r	.156
2-1/2"	S.S.	Threaded	P25147	2.85	1.25	3.67	1.60r	.172
3-1/2"	S.S.	Threaded	P35147	3.94	1.25	4.87	2.00r	.180

*Add range code to basic catalog number
(i.e. P20146-05)

**Other ranges and custom graphics are available. Please consult the factory for further details.

MILJOCO
CORPORATION

14335 E. NINE MILE RD., WARREN, MI 48089 www.miljoco.com PHONE 586 777-4280 FAX 586 777-7891