

# PRESSURE GAUGES

## GRADE 2A ±1/2% ACCURACY

### 4-1/2" DIAL SIZE - DRY

The Miljoco P4509LX is designed to offer the very maximum value to any installation where a more accurate gauge is required, and the media being measured is compatible to brass and bronze componentry. This gauge features the versatility of a removable flange to suit virtually any installation, as well as the rugged reliability of a stainless rotary type movement to enhance service life. The gauge case is equipped with a rubber safety blowout disc in the rear, to help protect the operator in the event of gauge failure due to overpressure. The instrument is suited for service on air, water, glycol solutions, and gas. CAUTION: A coil syphon must be installed on the connection when used with steam applications.

## GENERAL SPECIFICATIONS

**CASE:** Black epoxy finished steel case with removable 3-hole mounting flange and rubber safety blowout disc on rear.

**RING:** Stainless steel.

**LENS:** Double strength glass.

**DIAL:** Aluminum, white finished with black markings.

**POINTER:** Aluminum, black, micro-adjustable.

**MOVEMENT:** Stainless steel rotary type.

**BOURDON TUBE:** Phosphor bronze.

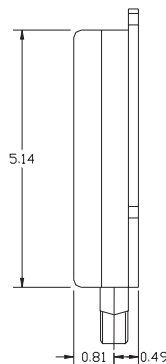
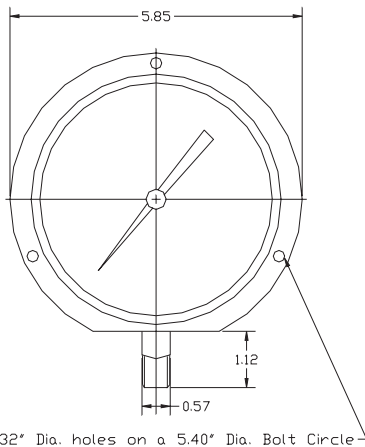
**CONNECTION:** 1/4" NPT brass, bottom outlet

**ACCURACY:** +1/2% of total range span, ANSI B40.1 Grade 2A



TYPE	BASIC CATALOG NO.*
WITH FLANGE	P4509LX

\*Add range code to basic catalog number (i.e. P4509LX-05)



## STANDARD RANGES

RANGE CODE	RANGE
001	30"hg - 0psi
006	30"-0- 150psi
008	30"-0- 300psi
03	0 - 30psi
04	0 - 60psi
05	0 - 100psi
06	0 - 160psi
07	0 - 200psi
08	0 - 300psi
10	0 - 600psi
11	0 - 1000psi

**MILJOCO**  
CORPORATION

14335 E. NINE MILE RD., WARREN, MI 48089

www.miljoco.com

PHONE 586 777-4280 FAX 586 777-7891

# PRESSURE GAUGES

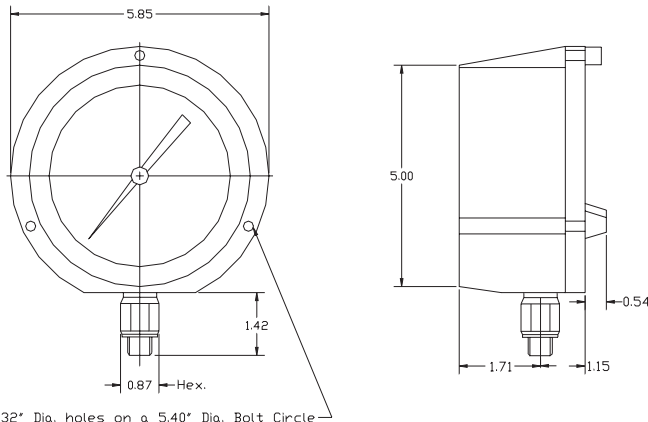
## PROCESS GAUGE

### 4-1/2" DIAL SIZE DRY OR LIQUID FILLED

Process gauges are furnished in a solid front turret style case, moulded in hi-impact polypropylene, which is ideally suited for corrosive and difficult environments. The solid wall behind the dial face provides protection for the operator in case of bourdon tube rupture, and the lens is sealed for weather proof operation. This gauge can be provided dry (standard) or liquid filled (optional).

### GENERAL SPECIFICATIONS

- CASE:** Hi-Impact polypropylene (black)
- RING:** Hi-Impact polypropylene (black)
- LENS:** Acrylic, for weather resistance.
- DIAL:** Aluminum, white finished with black markings.
- POINTER:** Aluminum, black, adjustable.
- MOVEMENT:** Stainless steel.
- BOURDON TUBE:** Stainless steel.
- CONNECTION:** 1/4" NPT bottom outlet (1/2" NPT is available)
- ACCURACY:** +1/2% of total range span, (ANSI grade 2A)



3 - 7/32" Dia. holes on a 5.40" Dia. Bolt Circle

TYPE	BASIC CATALOG NO.*
DRY GAUGE	P4520L
LIQUID FILLED	PLF4520L

\*Add range code to basic catalog number (i.e. P4520L-05)

STANDARD RANGES	
RANGE CODE	RANGE
001	30"hg - 0psi
006	30"-0- 150psi
008	30"-0- 300psi
03	0 - 30psi
04	0 - 60psi
05	0 - 100psi
06	0 - 160psi
07	0 - 200psi
08	0 - 300psi
10	0 - 600psi
11	0 - 1000psi

**MILJOCO**  
CORPORATION